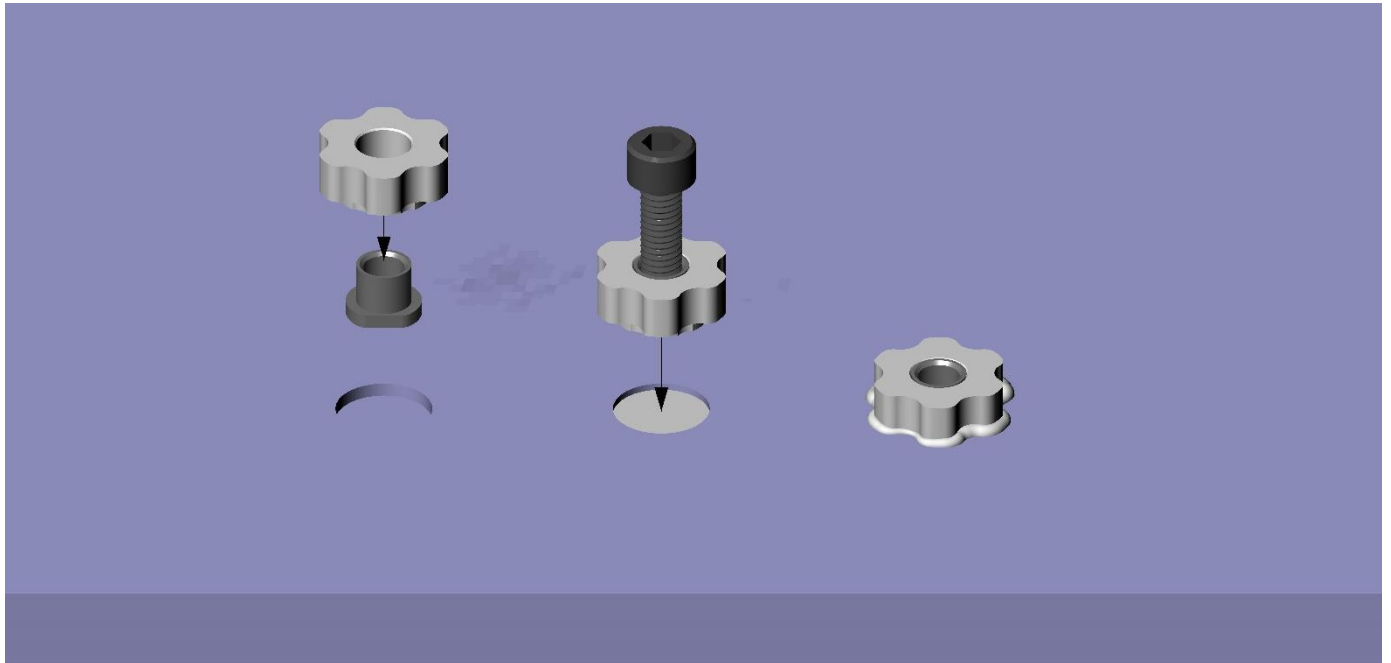


Semi-recessed D14-M4/M5/M6 Squirrel® Fixings



Semi-recessed Squirrel® Fixings have been developed to allow fabricators to make a mechanical screw fixing onto a 6mm sheet of solid surface material. The insert is recessed to a maximum of 2mm into the back of the sheet to prevent it from being visible through the face side. Please note that the inserts will be visible through translucent colours.

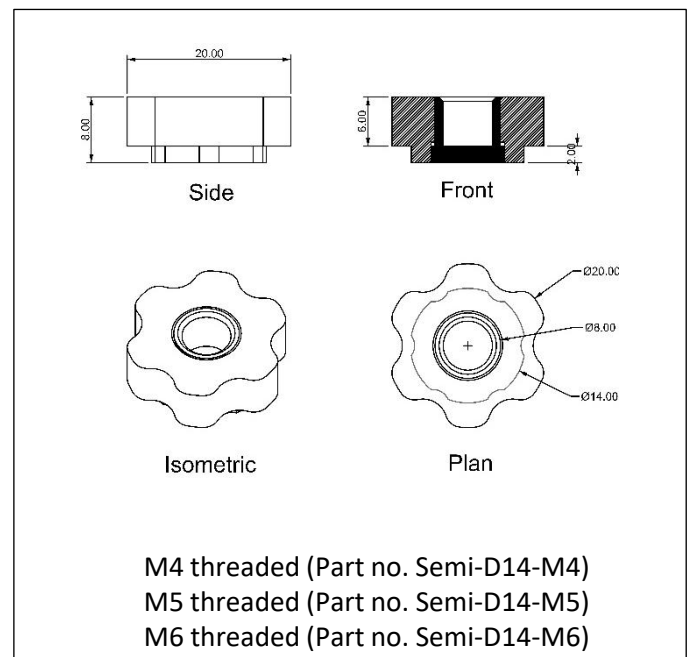
Uses:

- Internal 6mm thick Wall Cladding.
- 6mm thick furniture components.
- 6mm thick Ceiling Panels.
- Signage.

Fitting Instructions:

- Rout a 14mm diameter x 2mm deep pocket.
- Clean pocket with De-Natured Alcohol.
- Assemble Steel and solid surface components.
- Test fit Squirrel® fixing into pocket.
- Half fill pocket with adhesive.
- Place Squirrel® fixing into pocket.
- Give fixing a ¼ turn.
- Allow approx. 30-40 mins to harden.
- Do not remove excess adhesive.

Technical Drawings



Specifications:

- Available thread sizes: M4, M5 & M6
- Tested to 350kg loading. (Certificate available)
- Height: 8mm (+0.2mm)
- Diameter: 20mm (-0.2mm)
- Made from Recycled solid surface material

For further information please visit:

www.squirrels-uk.com