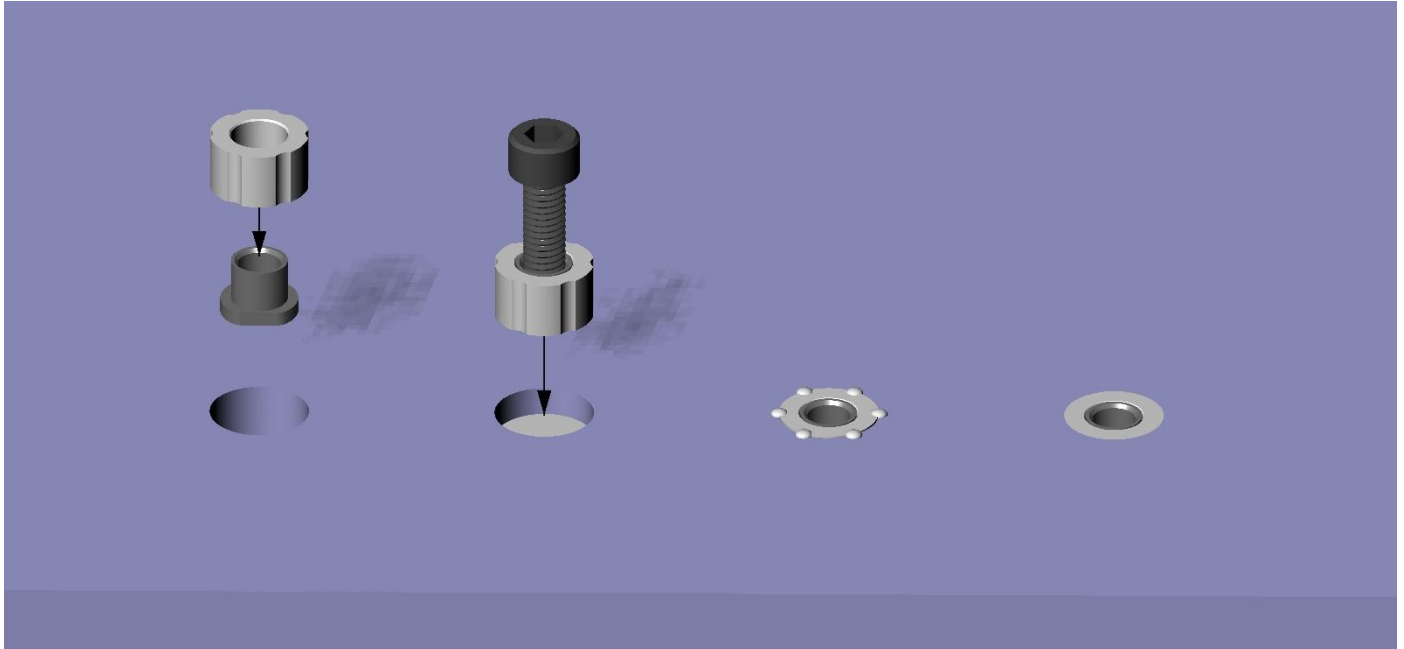


D14-M4/M6 Squirrel® Fixings



Squirrel® Fixings have been developed to allow fabricators to make a mechanical screw fixing into a 12mm sheet of solid surface material. The insert is recessed to a maximum of 8mm into the back of the sheet to prevent it from being visible through the face side.

Please note that the inserts will be visible through translucent colours.

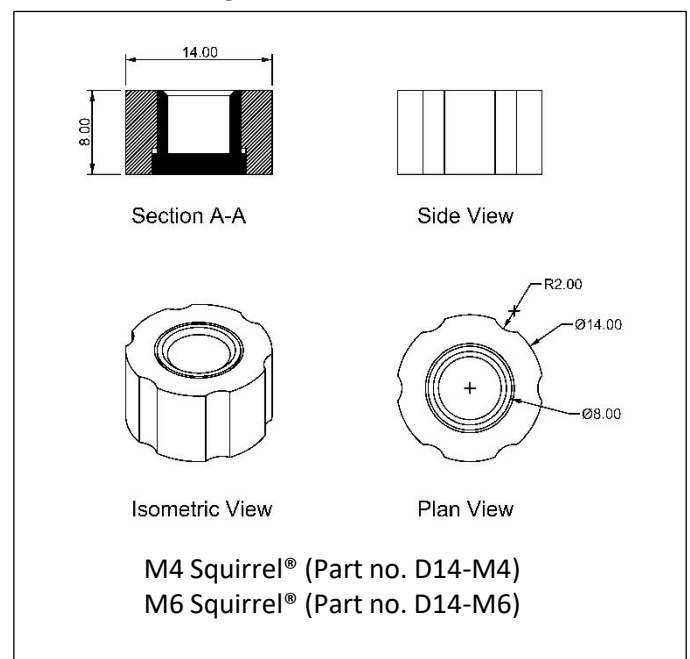
Uses:

- 12mm Table tops.
- 12mm Cabinet Doors.
- Rain-Screens.
- Internal Wall Cladding.
- Furniture components.
- Ceiling Panels.
- Signage.
- Under-mounting Stainless Steel sinks.

Fitting Instructions:

- Rout a 14mm diameter x 8mm deep pocket.
- Clean pocket with De-Natured Alcohol.
- Assemble Steel and solid surface components.
- Test fit Squirrel® fixing into pocket.
- Quarter fill pocket with adhesive.
- Place Squirrel® fixing into pocket.
- Give fixing a ¼ turn.
- Allow approx. 30-40 mins to harden before sanding away excess adhesive.

Technical Drawings



Specifications:

- Available thread sizes: M4 & M6
- Tested to 330kg loading. (Certificate available)
- Height: 8mm (+0.2mm)
- Diameter: 14mm (-0.2mm)
- Made from Recycled solid surface

For further information please visit:

www.squirrels-uk.com