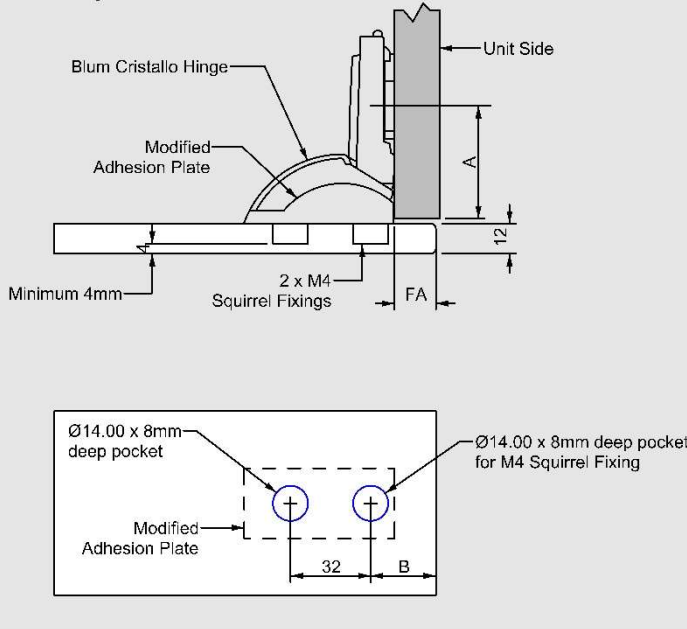


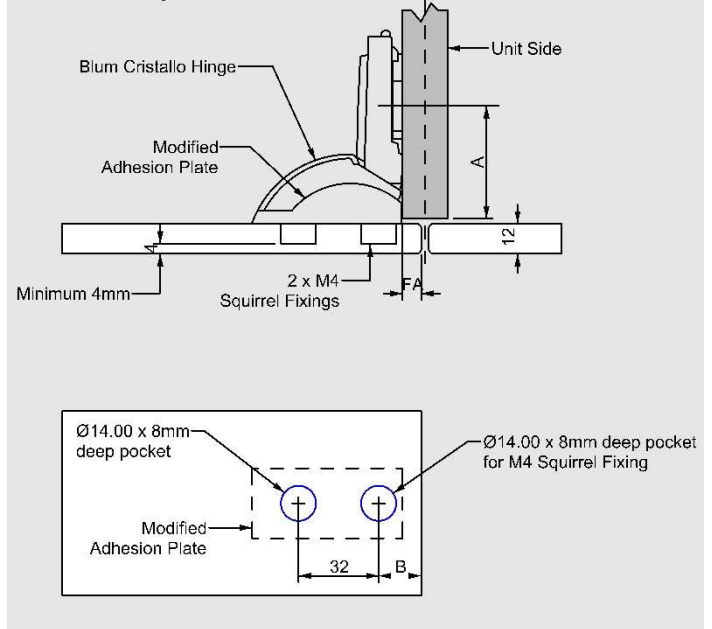
Squirrel Hinge System (Blum-Cristallo) Cabinet Door Planning



Overlay Cabinet Door



Half-Overlay Cabinet Door



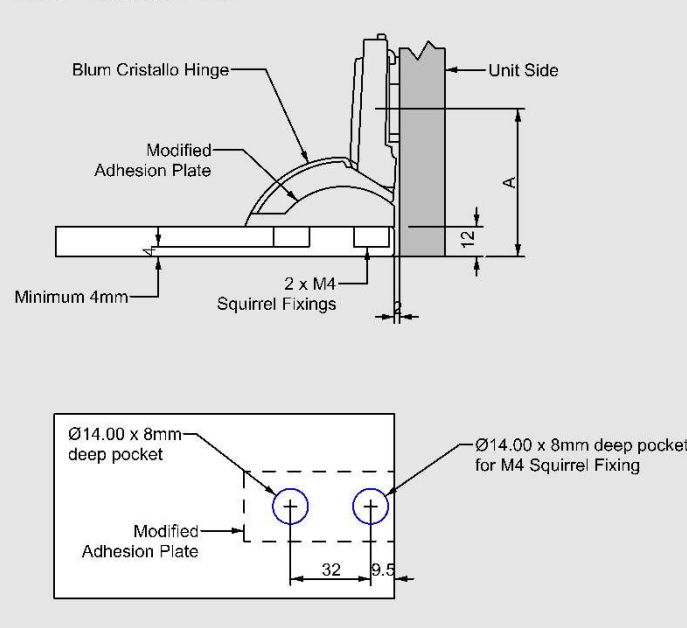
FA = Front overlay.

A = 45mm for overlay doors or 59mm for inset doors.

B = Centre point of the closest Squirrel Fixing from the edge of the door.

FA	0.0	1.0	1.5	3.0	4.5	6.0	7.5	10.5	12.0	13.5	15.0	16.5
B	9.5	10.5	11.00	12.5	14.0	15.5	17.0	20.0	21.5	23.0	24.5	26.0

Inset Cabinet Door



Planning instructions and notes:

- Absolute minimum of 4mm material to be left in thickness of sheet when routing pockets for Squirrel® Fixings.
- Recommended mounting plates 37/32.
- Maximum overlay of 16.5mm.
- Apply a filleted profile of 1mm to 3mm to the edges of the door when overlay is +15mm. This prevents binding when hinge is fully extended.
- Only suitable for 12mm door thickness.

Number of hinges required:

Door Weight (Kg)	4 - 6	7- 12	13-17	18-22
Number of hinges	2	3	4	5